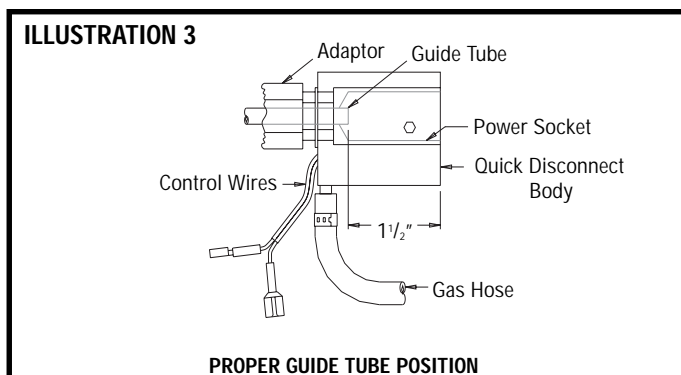
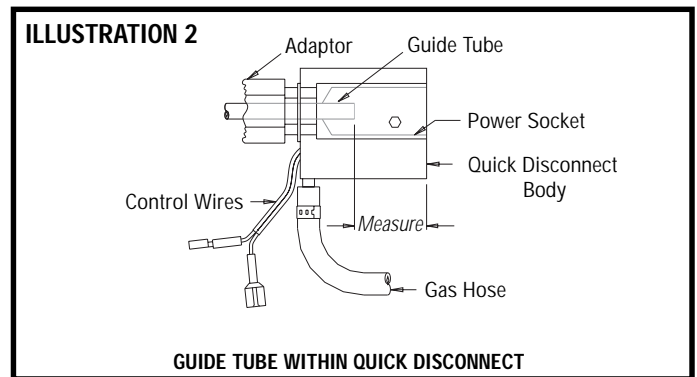
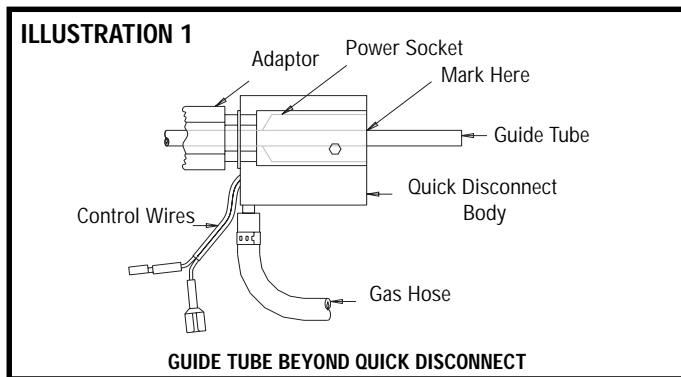


## E - Z FEED QUICK DISCONNECT FEEDER END ADAPTOR KITS 4820G - 4995

### INSTALLATION INSTRUCTIONS

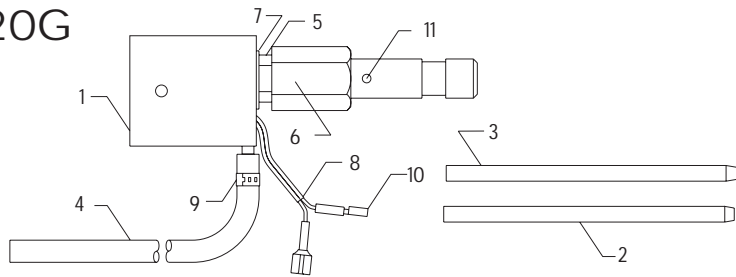
1. Quick Disconnect Feeder End may be connected directly to a Bernard adaptor by threading quick disconnect directly into adaptor. Make all necessary power, control, and gas connections.
2. Quick Disconnect Feeder End, PN 4920 is supplied with two long guide tubes (PN 478 and 479) of different I.D.'s which must be cut to the proper length.
3. Select the proper guide tube I.D. from the table below.
  - .023-.052 Electrode Small I.D.
  - .062-1/8 Electrode Large I.D.
4. Install taper end toward feed rolls. If electrodes below .045 are being used, it may be advisable to grind a chisel point on the tapered end to guide electrode closer to the feed rolls.
5. Procedure to determine cut length for guide tube that extends beyond quick disconnect (Refer to Illustration 1):
  - A. Mark tube at point even with end of quick disconnect body.
6. Procedure to determine cut length for guide tube recessed within quick disconnect (Refer to Illustration 2):
  - A. With small rule, measure amount guide tube is within quick disconnect body.
  - B. Using formula below, cut guide tube to proper length. Shorten guide tube from end opposite taper.
  - C. 1-1/2" minus distance measured inside the quick disconnect body equals length to be shortened.
7. Insert the guide tube in the adaptor. Check guide tube length as indicated in Illustration 3 for proper fit and tighten set screw. E-Z Feed Adaptor Kits are supplied with pre-cut guide tubes for specific machines, as indicated below.



|    |      |      |      |    |        |        |        |    |
|----|------|------|------|----|--------|--------|--------|----|
| 0" | 1/4" | 1/2" | 3/4" | 1" | 1 1/4" | 1 1/2" | 1 3/4" | 2" |
|----|------|------|------|----|--------|--------|--------|----|

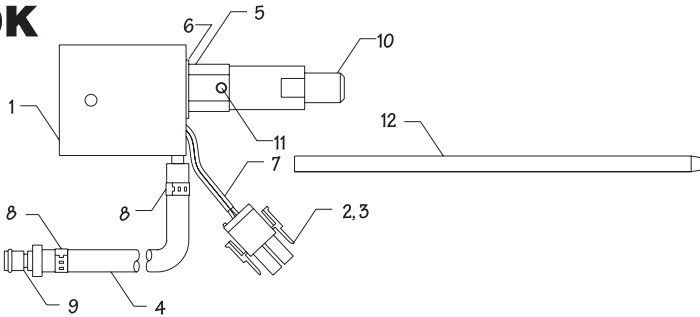
Bernard  
An Illinois Tool Works Company  
449 West Corning Road, Box 667  
Beecher, Illinois 60401-0667 U.S.A.  
708-946-2281 Fax 708-946-6726  
800-946-2281 Customer Support  
800-646-6726 Fax Orders  
www.bernard-welding.com

# 4820G



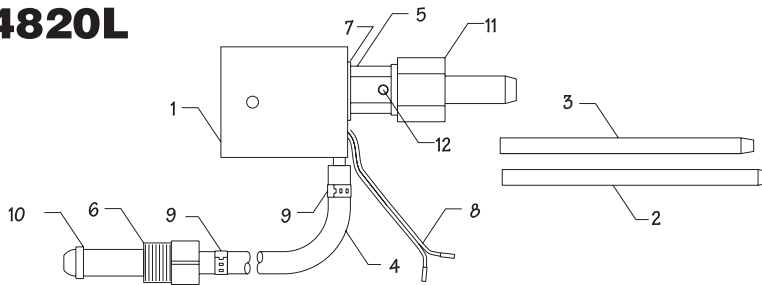
| FOR USE ON            | ITEM | PART NO. | DESCRIPTION               |
|-----------------------|------|----------|---------------------------|
| Hobart                | 1    | 4893     | Body, w/Gas Barb & O-Ring |
| Beta-Mig              | 2    | 4850     | Guide Tube, Small I.D.    |
| 200-2000              | 3    | 373      | Guide Tube, Large I.D.    |
| Models 17 & 19        | 4    | 1571     | Gas Hose                  |
|                       | 5    | 4908     | Socket                    |
| Miller                | 6    | 5108     | Adaptor Body              |
| Migman 105            | 7    | 4912     | Snap Ring                 |
| W/pre-cut guide tubes | 8    | 4942     | Wire Assembly             |
|                       | 9    | 1930     | Oetiker Clamp             |
|                       | 10   | 1346     | Terminals                 |
|                       | 11   | 396      | Set Screw                 |

# 4820K



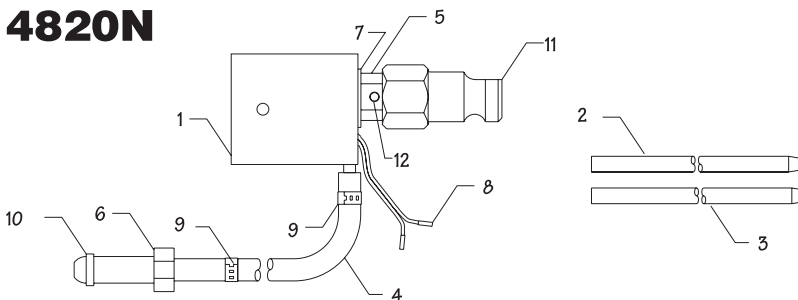
| FOR USE ON                                | ITEM | PART NO. | DESCRIPTION               |
|---|------|----------|---------------------------|
| ESAB                                      | 1    | 4893     | Body, w/Gas Barb & O-Ring |
| Me-2                                      | 2    | 9394     | Housing, Male Connector   |
| Migmaster 180                             | 3    | 9395     | Pin, Connector            |
| CENTURY                                   | 4    | 1571     | Gas Hose                  |
| 100, 130, 150, 160                        | 5    | 4972     | Socket                    |
| 200, 225, 250                             | 6    | 4912     | Snap Ring                 |
| powermate225                              | 7    | 4942     | Wire Assembly             |
| AIRCO                                     | 8    | 1930     | Oetiker Clamp             |
| Dippak 250, 300                           | 9    | 9713     | Plastic Gland             |
| MIGhty 2E, 4HD, IIE, IVHD                 | 10   | 4805     | Adaptor Body              |
| CEMIG 169T, 200T                          | 11   | 396      | Set Screw                 |
| POWCON                                    | 12   | 4852     | Guide Tube, Small I.D.    |
| PDP1, powerdrive1, power drive1E, DAV Mig |      |          |                           |

# 4820L



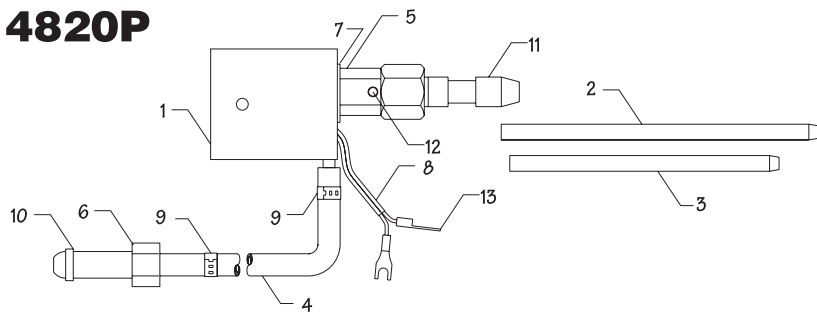
| FOR USE ON | ITEM | PART NO. | DESCRIPTION               |
|------------|------|----------|---------------------------|
| L-TEC      | 1    | 4893     | Body, w/Gas Barb & O-Ring |
| mig-31     | 2    | 194      | Guide Tube, Small I.D.    |
| swm-30     | 3    | 371      | Guide Tube, Large I.D.    |
| swm-31     | 4    | 1571     | Gas Hose                  |
|            | 5    | 4972     | Socket                    |
|            | 6    | 1566     | Gas Nut                   |
|            | 7    | 4912     | Snap Ring                 |
|            | 8    | 4942     | Wire Assembly             |
|            | 9    | 1930     | Oetiker Clamp             |
|            | 10   | 663      | Hose Gland                |
|            | 11   | 4998     | Adaptor Body              |
|            | 12   | 396      | Set Screw                 |

# 4820N



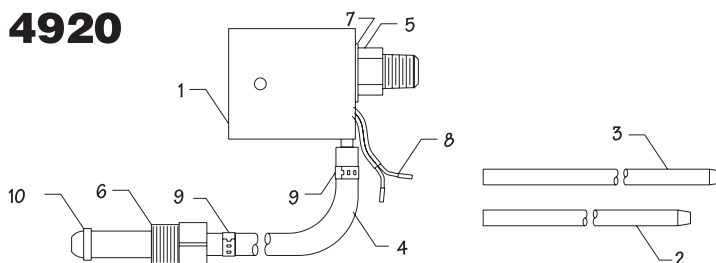
| FOR USE ON  | ITEM | PART NO. | DESCRIPTION               |
|-------------|------|----------|---------------------------|
| Panasonic   | 1    | 4893     | Body, w/Gas Barb & O-Ring |
| YW501FK     | 2    | 4958     | Guide Tube, Small I.D.    |
|             | 3    | 379      | Guide Tube, Large I.D.    |
| National    | 4    | 1571     | Gas Hose                  |
| most models | 5    | 4972     | Socket                    |
|             | 6    | 366      | Gas Nut                   |
|             | 7    | 4912     | Snap Ring                 |
|             | 8    | 4942     | Wire Assembly             |
|             | 9    | 1930     | Oetiker Clamp             |
|             | 10   | 663      | Hose Gland                |
|             | 11   | 7115     | Adaptor Body              |
|             | 12   | 396      | Set Screw                 |

# 4820P



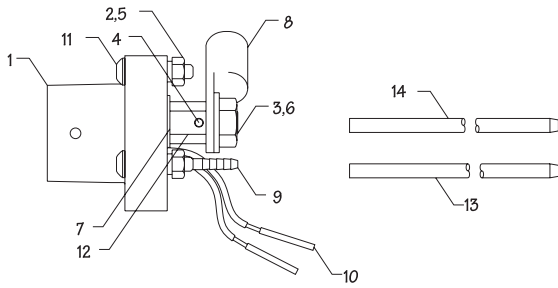
| FOR USE ON  | ITEM | PART NO. | DESCRIPTION               |
|-------------|------|----------|---------------------------|
| OTC         | 1    | 4893     | Body, w/Gas Barb & O-Ring |
| most models | 2    | 4958     | Guide Tube, Small I.D.    |
|             | 3    | 379      | Guide Tube, Large I.D.    |
| Gelco       | 4    | 1571     | Gas Hose                  |
| all models  | 5    | 4972     | Socket                    |
|             | 6    | 366      | Gas Nut                   |
|             | 7    | 4912     | Snap Ring                 |
|             | 8    | 4942     | Wire Assembly             |
|             | 9    | 1930     | Oetiker Clamp             |
|             | 10   | 663      | Hose Gland                |
|             | 11   | 7124     | Adaptor Body              |
|             | 12   | 396      | Set Screw                 |
|             | 13   | 4261     | Spade Terminal            |

# 4920



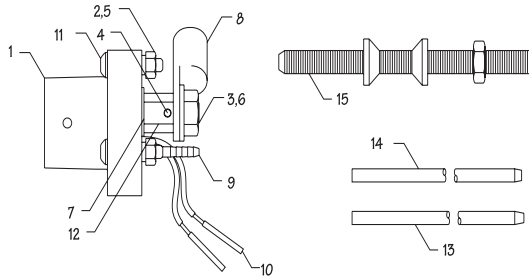
| FOR USE ON                                     | ITEM | PART NO. | DESCRIPTION               |
|--|------|----------|---------------------------|
| Quick Disconnect, feeder end w/guide tubes (2) | 1    | 4893     | Body, w/Gas Barb & O-Ring |
|  | 2    | 478      | Guide Tube, Small I.D.    |
|  | 3    | 479      | Guide Tube, Large I.D.    |
| Fits all existing Bernard adaptors             | 4    | 1571     | Gas Hose                  |
|  | 5    | 4908     | Socket                    |
|  | 6    | 1566     | Gas Nut                   |
|  | 7    | 4912     | Snap Ring                 |
|  | 8    | 4942     | Wire Assembly             |
|  | 9    | 1930     | Oetiker Clamp             |
|  | 10   | 663      | Hose Gland                |

# 4970



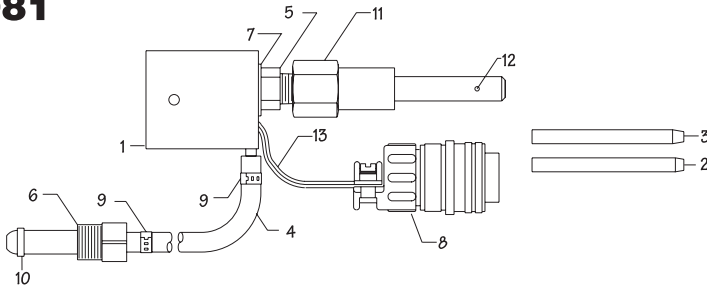
| FOR USE ON            | ITEM | PART NO. | DESCRIPTION                    |
|-----------------------|------|----------|--------------------------------|
| ESAB, most models     | 1    | 4971     | Feeder Mount                   |
|                       | 2    | 1456     | Hex Nut                        |
|                       | 3    | 4974     | Hex Jam Nut                    |
| W/pre-cut guide tubes | 4    | 396      | Set Screw                      |
|                       | 5    | 3613     | Lock Washer                    |
|                       | 6    | 4975     | Flat Washer                    |
|                       | 7    | 4912     | Snap Ring                      |
|                       | 8    | B-120    | Solder Type Lug                |
|                       | 9    | 4214     | Gas Barb Assy. (w/4907 O-Ring) |
|                       | 10   | 4942     | Wire Assembly                  |
|                       | 11   | 4973     | Button Head Screw              |
|                       | 12   | 4972     | Power Socket                   |
|                       | 13   | 478      | Guide Tube, Small I.D.         |
|                       | 14   | 479      | Guide Tube, Large I.D.         |

# 4970A



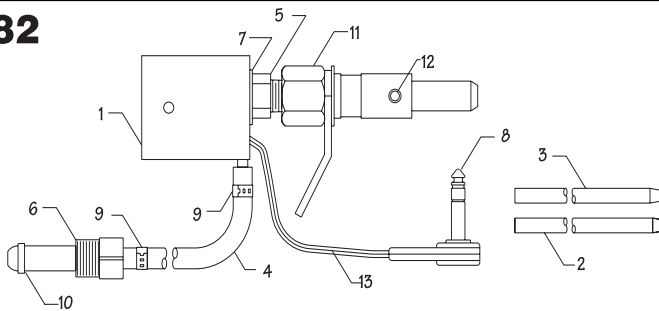
| FOR USE ON  | ITEM | PART NO. | DESCRIPTION                    |
|---|------|----------|--------------------------------|
| Universal flange mount quick disconnect                       | 1    | 4971     | Feeder Mount                   |
|   | 2    | 1456     | Hex Nut                        |
|   | 3    | 4974     | Hex Jam Nut                    |
|   | 4    | 396      | Set Screw                      |
| includes universal centering device for most European feeders | 5    | 3613     | Lock Washer                    |
|   | 6    | 4975     | Flat Washer                    |
|   | 7    | 4912     | Snap Ring                      |
|   | 8    | B-120    | Solder Type Lug                |
|   | 9    | 4214     | Gas Barb Assy. (w/4907 O-Ring) |
|   | 10   | 4942     | Wire Assembly                  |
|   | 11   | 4973     | Button Head Screw              |
|   | 12   | 4972     | Power Socket                   |
|   | 13   | 478      | Guide Tube, Small I.D.         |
|   | 14   | 479      | Guide Tube, Large I.D.         |
|   | 15   | 4989     | Centering Kit Complete         |

# 4981



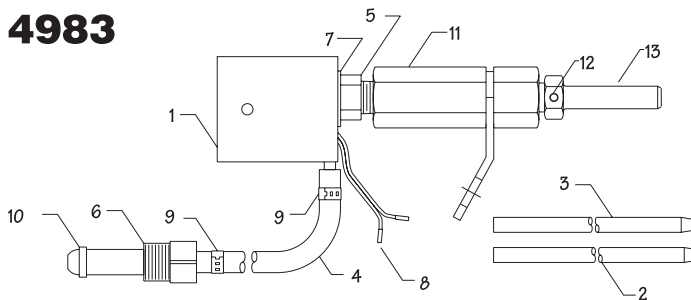
| FOR USE ON                          | ITEM | PART NO. | DESCRIPTION               |
|-------------------------------------|------|----------|---------------------------|
| Lincoln LN4, LN-5, LN-6, LN-8, LN-9 | 1    | 4893     | Body, w/Gas Barb & O-Ring |
|                                     | 2    | 4951     | Guide Tube, Small I.D.    |
|                                     | 3    | 4961     | Guide Tube, Large I.D.    |
| W/pre-cut guide tubes and plugs     | 4    | 1571     | Gas Hose                  |
|                                     | 5    | 4908     | Socket                    |
|                                     | 6    | 1566     | Gas Nut                   |
|                                     | 7    | 4912     | Snap Ring                 |
|                                     | 8    | 1694     | Lead Set (Includes 4942)  |
|                                     | 9    | 1930     | Oetiker Clamp             |
|                                     | 10   | 663      | Hose Gland                |
|                                     | 11   | 1381     | Adaptor Body              |
|                                     | 12   | 1384     | Set Screw                 |
|                                     | 13   | 4942     | Wire Assembly             |

# 4982



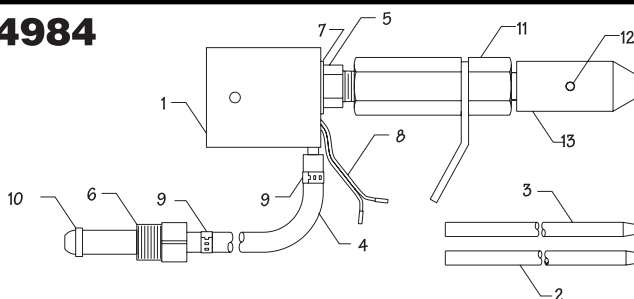
| FOR USE ON                     | ITEM | PART NO. | DESCRIPTION               |
|--------------------------------|------|----------|---------------------------|
| Hobart, all models except 200  | 1    | 4893     | Body, w/Gas Barb & O-Ring |
|                                | 2    | 4952     | Guide Tube, Small I.D.    |
|                                | 3    | 4962     | Guide Tube, Large I.D.    |
| W/pre-cut guide tubes and plug | 4    | 1571     | Gas Hose                  |
|                                | 5    | 4908     | Socket                    |
|                                | 6    | 1566     | Gas Nut                   |
|                                | 7    | 4912     | Snap Ring                 |
|                                | 8    | 1692     | Lead Set (Includes 4942)  |
|                                | 9    | 1930     | Oetiker Clamp             |
|                                | 10   | 663      | Hose Gland                |
|                                | 11   | 1362     | Adaptor Body              |
|                                | 12   | 396      | Set Screw                 |
|                                | 13   | 4942     | Wire Assembly             |

# 4983



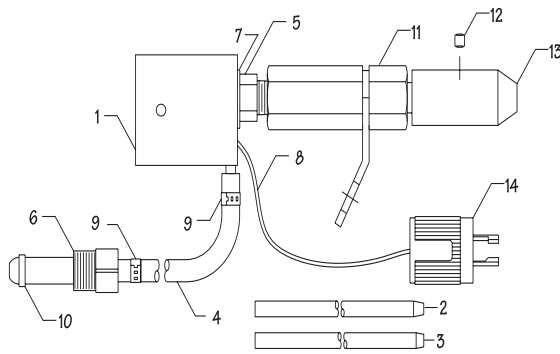
| FOR USE ON                         | ITEM | PART NO. | DESCRIPTION               |
|------------------------------------|------|----------|---------------------------|
| Miller, 10 & 30 Series             | 1    | 4893     | Body, w/Gas Barb & O-Ring |
| 70 & 80 Series                     | 2    | 4953     | Guide Tube, Small I.D.    |
|                                    | 3    | 4963     | Guide Tube, Large I.D.    |
| Machinery & Weldor MHFC-H, MHFC-R1 | 4    | 1571     | Gas Hose                  |
|                                    | 5    | 4908     | Socket                    |
|                                    | 6    | 1566     | Gas Nut                   |
| W/pre-cut guide tubes              | 7    | 4912     | Snap Ring                 |
|                                    | 8    | 4942     | Wire Assembly             |
|                                    | 9    | 1930     | Oetiker Clamp             |
|                                    | 10   | 663      | Hose Gland                |
|                                    | 11   | 1363     | Adaptor Body              |
|                                    | 12   | 396      | Set Screw                 |
|                                    | 13   | 489      | Adaptor Shank             |

# 4984



| FOR USE ON   | ITEM | PART NO. | DESCRIPTION               |
|--|------|----------|---------------------------|
| Linde, SWM-11, 11B, 23, 24, 25, 26, 35, SEH-3, SEH-5, SEH-10 | 1    | 4893     | Body, w/Gas Barb & O-Ring |
| Digimig  | 2    | 4955     | Guide Tube, Small I.D.    |
|  | 3    | 4965     | Guide Tube, Large I.D.    |
|  | 4    | 1571     | Gas Hose                  |
|  | 5    | 4908     | Socket                    |
| W/pre-cut guide tubes  | 6    | 1566     | Gas Nut                   |
|  | 7    | 4912     | Snap Ring                 |
|  | 8    | 4942     | Wire Assembly             |
|  | 9    | 1930     | Oetiker Clamp             |
|  | 10   | 663      | Hose Gland                |
|  | 11   | 1363     | Adaptor Body              |
|  | 12   | 396      | Set Screw                 |
|  | 13   | 1170     | Adaptor Shank             |

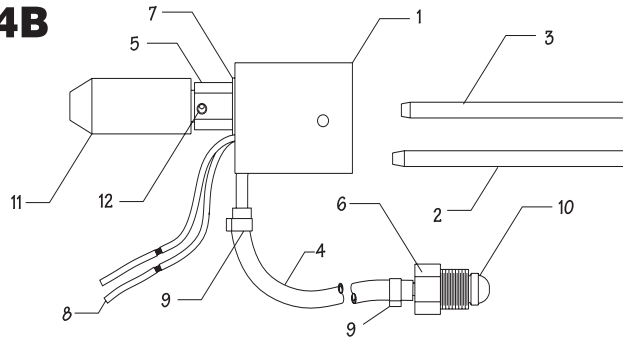
# 4984A



FOR USE ON  
Digimig

| ITEM | PART NO. | DESCRIPTION               |
|------|----------|---------------------------|
| 1    | 4893     | Body, w/Gas Barb & O-Ring |
| 2    | 4955     | Guide Tube, Small I.D.    |
| 3    | 4965     | Guide Tube, Large I.D.    |
| 4    | 1571     | Gas Hose                  |
| 5    | 4908     | Socket                    |
| 6    | 1566     | Gas Nut                   |
| 7    | 4912     | Snap Ring                 |
| 8    | 4942     | Wire Assembly             |
| 9    | 1930     | Oetiker Clamp             |
| 10   | 663      | Hose Gland                |
| 11   | 1363     | Adaptor Body              |
| 12   | 396      | Set Screw                 |
| 13   | 1170     | Adaptor Shank Plug        |
| 14   | 4979     | Plug                      |

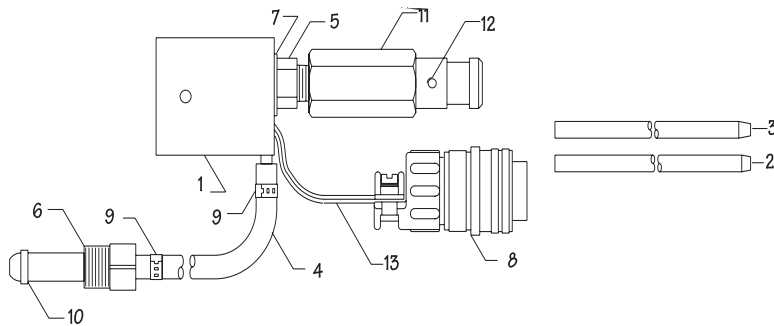
# 4984B



FOR USE ON  
Linde

| ITEM | PART NO. | DESCRIPTION            |
|------|----------|------------------------|
| 1    | 4893     | Body, w/Barb & O-Ring  |
| 2    | 4955     | Guide Tube, Small I.D. |
| 3    | 4965     | Guide Tube, Large I.D. |
| 4    | 1571     | Gas Hose               |
| 5    | 4972     | Power Socket           |
| 6    | 1566     | Gas Nut                |
| 7    | 4912     | Snap Ring              |
| 8    | 4942     | Wire Assembly          |
| 9    | 1930     | Clamp                  |
| 10   | 663      | Hose Gland             |
| 11   | 1170A    | Adaptor Shank          |
| 12   | 396      | Set Screw              |

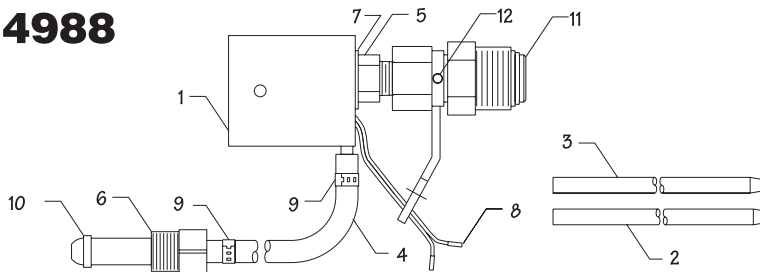
# 4986



FOR USE ON  
Lincoln LN-7,  
SP-200, LN-22  
  
W/pre-cut  
guide tubes and plug

| ITEM | PART NO. | DESCRIPTION                      |
|------|----------|----------------------------------|
| 1    | 4893     | Body, w/Gas Barb & O-Ring        |
| 2    | 4956     | Guide Tube, Small I.D.           |
| 3    | 4966     | Guide Tube, Large I.D.           |
| 4    | 1571     | Gas Hose                         |
| 5    | 4908     | Socket                           |
| 6    | 1566     | Gas Nut                          |
| 7    | 4912     | Snap Ring                        |
| 8    | 1694     | Lead Assembly<br>(includes 4942) |
| 9    | 1930     | Oetiker Clamp                    |
| 10   | 663      | Hose Gland                       |
| 11   | 295      | Adaptor Body                     |
| 12   | 396      | Set Screw                        |
| 13   | 4942     | Wire Assembly                    |

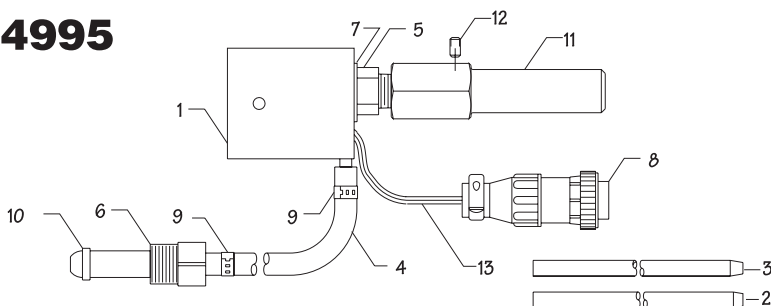
# 4988



FOR USE ON  
Airco AHF-N,  
AHF-R, AHF-S,  
AHF-T, AHF-U,  
AHF-V, AHF-J,  
AHF-L, AHF-W  
  
(W/pre-cut guide  
tubes)

| ITEM | PART NO. | DESCRIPTION               |
|------|----------|---------------------------|
| 1    | 4893     | Body, w/Gas Barb & O-Ring |
| 2    | 4953     | Guide Tube, Small I.D.    |
| 3    | 4963     | Guide Tube, Large I.D.    |
| 4    | 1571     | Gas Hose                  |
| 5    | 4908     | Socket                    |
| 6    | 1566     | Gas Nut                   |
| 7    | 4912     | Snap Ring                 |
| 8    | 4942     | Wire Assembly             |
| 9    | 1930     | Oetiker Clamp             |
| 10   | 663      | Hose Gland                |
| 11   | 4825     | Adaptor Body              |
| 12   | 396      | Set Screw                 |

# 4995



FOR USE ON  
Miller 542 GL  
Swing Arc, part  
079-548  
Porta-MIG  
Millermatic 40, 50  
Migmate  
Millermatic 130  
Miller S-32S &  
S-32P  
  
W/pre-cut guide  
tubes and plugs

| ITEM | PART NO. | DESCRIPTION                      |
|------|----------|----------------------------------|
| 1    | 4893     | Body, w/Gas Barb & O-Ring        |
| 2    | 4958     | Guide Tube, Small I.D.           |
| 3    | 4968     | Guide Tube, Large I.D.           |
| 4    | 1571     | Gas Hose                         |
| 5    | 4908     | Socket                           |
| 6    | 1566     | Gas Nut                          |
| 7    | 4912     | Snap Ring                        |
| 8    | 4996     | Lead Assembly<br>(includes 4942) |
| 9    | 1930     | Oetiker Clamp                    |
| 10   | 663      | Hose Gland                       |
| 11   | 1294     | Adaptor Body                     |
| 12   | 396      | Set Screw                        |
| 13   | 4942     | Wire Assembly                    |